

Q28-100GP4-BXD3327-10-I-C-PRO

Cisco® Compatible TAA Compliant 100GBase-BX PAM4 QSFP28 Single Lambda Transceiver (SMF, 1331nmTx/1271nmRx, 10km w/host FEC, -40 to 85C, LC)

Features

- Compliant with 100G Lambda MSA 100G-LR Specifications
- Single 3.3V Power Supply
- Compliant with SFF-8636
- Bidi LC Connectors
- Industrial Temperature -40 to 85 Celsius
- Single-mode Fiber
- Metal with Lower EMI
- Hot Pluggable
- RoHS Compliant and Lead Free
- Excellent ESD Protection



Applications:

- 100GBase Ethernet
- Datacenter

Product Description

This Cisco® QSFP28 transceiver provides 100GBase-BX throughput up to 10km over single-mode fiber (SMF) using a wavelength of 1331nmTx/1271nmRx via an LC connector. It is guaranteed to be 100% compatible with the equivalent Cisco® transceiver. This easy to install, hot swappable transceiver has been programmed, uniquely serialized and data-traffic and application tested to ensure that it will initialize and perform identically. Digital optical monitoring (DOM) support is also present to allow access to real-time operating parameters. This transceiver is Trade Agreements Act (TAA) compliant. We stand behind the quality of our products and proudly offer a limited lifetime warranty.

Proline's transceivers are RoHS compliant and lead-free.

TAA refers to the Trade Agreements Act (19 U.S.C. & 2501-2581), which is intended to foster fair and open international trade. TAA requires that the U.S. Government may acquire only "U.S. – made or designated country end products.



Absolute Maximum Ratings

Parameter	Symbol	Min.	Typ.	Max.	Unit	Notes
Maximum Supply Voltage	V _{cc}	0		3.6	V	
Data Input Voltage		-0.3		3.6	V	
Control Input Voltage		-0.3		4	V	
Storage Temperature	T _{stg}	-40		85	°C	
Operating Case Temperature	T _c	0		70	°C	
Relative Humidity	RH	5		85	%	
Data Rate	BR		53.125		GBd	
Bit Error Rate	BER			2.4x10 ⁻⁴		1
Supported Link Length on 9/125um SMF, 53.125 GBd	L		10		km	2

Notes:

1. Tested with a PRBS31Q test pattern for 53.125 GBd operation.
2. Distances are based on FC-PI-6 Rev. 3.1 and IEEE 802.3 standards, with FEC.

Electrical Characteristics

Parameter	Symbol	Min.	Typ.	Max.	Unit	Notes
Power Supply Voltage	V _{cc}	3.135	3.3	3.465	V	
Module Supply Current	I _{cc}			1212	mA	
Power Dissipation	P _{DISS}			4000	mW	
Transmitter						
Differential Data Input Swing	V _{IN} , p-p	90	100	110	mVp-p	
Differential Input Impedance	Z _{IN}	90	100	110	Ω	
Receiver						
Differential Data Output Swing	V _{OUT} , p-p	300		900	mVp-p	
Differential Output Impedance	Z _{OUT}	90	100	110	Ω	

Optical Characteristics

Parameter	Symbol	Min.	Typ.	Max.	Unit	Notes
Transmitter						
Center Wavelength	λ_C	1324.5	1331	1337.5	nm	
Extinction Ratio	ER	3.5			dB	
Launch Optical Power (Average)	Po	-1.4		4.5	dBm	1
Launch Optical Power (OMA)	Poma	0.7		4.7	dBm	
Transmitter and dispersion penalty eye closure for PAM4	TDECQ			3.4	dB	
RIN17.1OMA (max)	RIN			-136	dB/Hz	
Optical Return Loss Tolerance	ORLT			15.6	dB	
Pout @TX-Disable Asserted	Poff			-30	dBm	
Receiver						
Center Wavelength	λ_C	1264.5	1271	1277.5	nm	
Receiver Sensitivity (OMA)	RxSENS			-6.1	dBm	2
Receiver Overload (Pavg)	POL	4.5			dBm	
Receiver reflectance				-26	dB	
LOS De-Assert	LOSD			-12	dBm	
LOS Assert	LOSA	-18			dBm	
LOS Hysteresis		0.5			dB	

Notes:

1. Class 1 Laser Safety per FDA/CDRH and EN (IEC) 60825 regulations.
2. Measured with PRBS31Q test pattern, 53.125GBd, BER<2.4×10⁻⁴.

Pin Descriptions

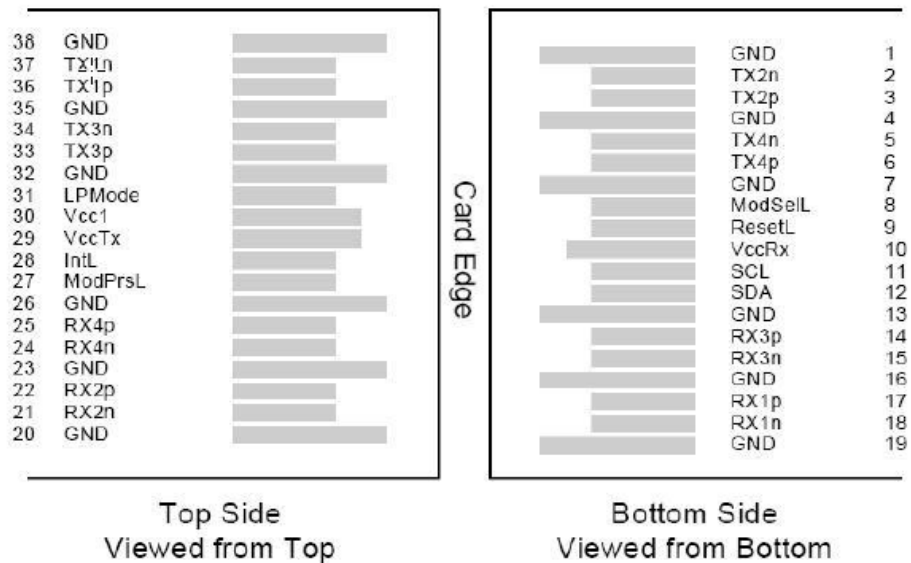
Pin	Logic	Symbol	Name/Descriptions	Notes
1		GND	Module Ground.	1
2	CML-I	Tx2-	Transmitter Inverted Data Input.	
3	CML-I	Tx2+	Transmitter Non-Inverted Data Output.	
4		GND	Module Ground.	1
5	CML-I	Tx4-	Transmitter Inverted Data Input.	
6	CML-I	Tx4+	Transmitter Non-Inverted Data Output.	
7		GND	Module Ground.	1
8	LVTLL-I	ModSelL	Module Select.	
9	LVTLL-I	ResetL	Module Reset.	
10		VccRx	+3.3V Receiver Power Supply.	2
11	LVCMOS-I/O	SCL	2-Wire Serial Interface Clock.	
12	LVCMOS-I/O	SDA	2-Wire Serial Interface Data.	
13		GND	Module Ground.	
14	CML-O	Rx3+	Receiver Non-Inverted Data Output.	
15	CML-O	Rx3-	Receiver Inverted Data Output.	
16		GND	Module Ground.	1
17	CML-O	Rx1+	Receiver Non-Inverted Data Output.	
18	CML-O	Rx1-	Receiver Inverted Data Output.	
19		GND	Module Ground.	1
20		GND	Module Ground.	1
21	CML-O	Rx2-	Receiver Inverted Data Output.	
22	CML-O	Rx2+	Receiver Non-Inverted Data Output.	
23		GND	Module Ground.	1
24	CML-O	Rx4-	Receiver Inverted Data Output.	1
25	CML-O	Rx4+	Receiver Non-Inverted Data Output.	
26		GND	Module Ground.	1
27	LVTTL-O	ModPrsL	Module Present.	
28	LVTTL-O	IntL	Interrupt.	
29		VccTx	+3.3V Transmitter Power Supply.	2
30		Vcc1	+3.3V Power Supply.	2
31	LVTTL-I	LPMoDe	Low-Power Mode.	
32		GND	Module Ground.	1
33	CML-I	Tx3+	Transmitter Non-Inverted Data Input.	
34	CML-I	Tx3-	Transmitter Inverted Data Output.	
35		GND	Module Ground.	1

36	CML-I	Tx1+	Transmitter Non-Inverted Data Input.	
37	CML-I	Tx1-	Transmitter Inverted Data Output.	
38		GND	Module Ground.	1

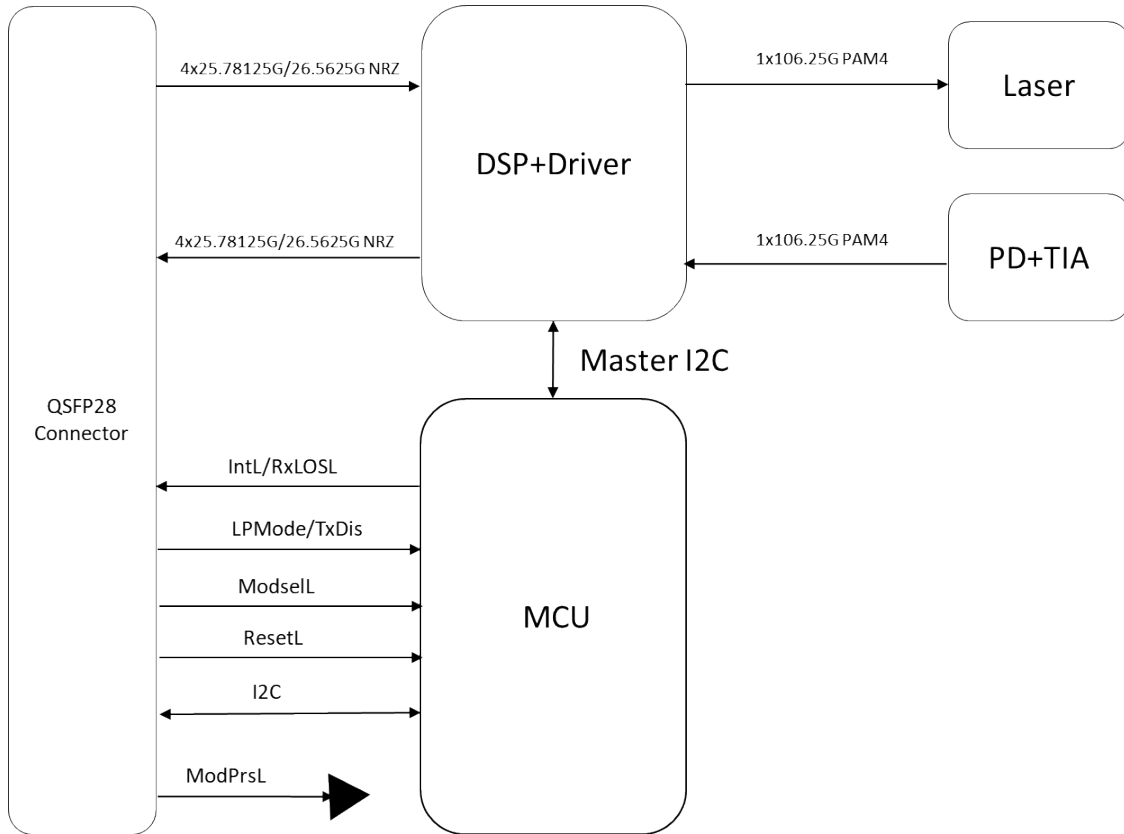
Notes:

1. GND is the symbol for signal and supply (power) common for the QSFP28 module. All are common within the QSFP28 module, and all module voltages are referenced to this potential unless otherwise noted. Connect these directly to the host board signal-common ground plane.
2. VccRx, Vcc1, and VccTx are the receiver and transmitter power supplies and shall be applied concurrently. Recommended host board power supply filtering is shown below. VccRx, Vcc1, and VccTx may be internally connected within the QSFP28 transceiver module in any combination. The connector pins are each rated for a maximum current of 1000mA.

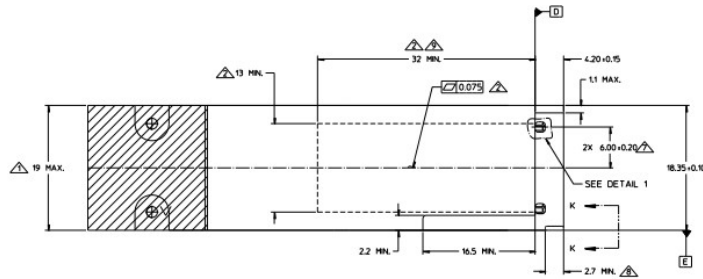
Electrical Pin-Out Details



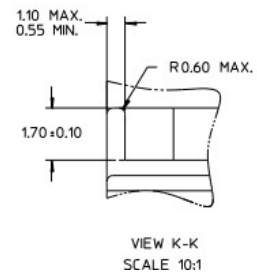
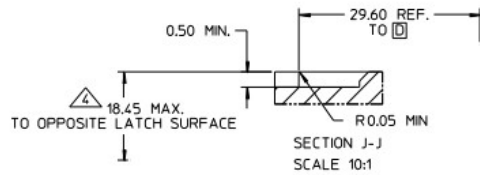
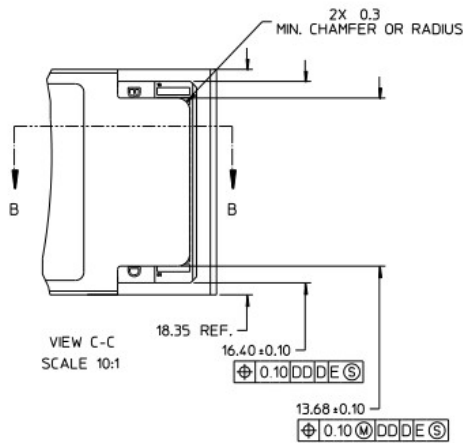
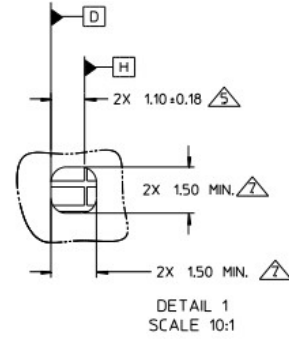
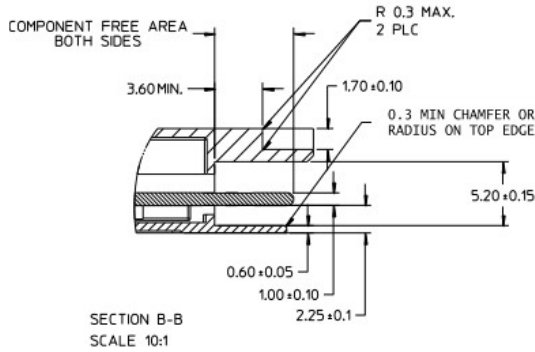
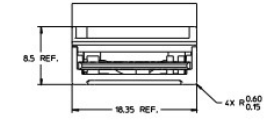
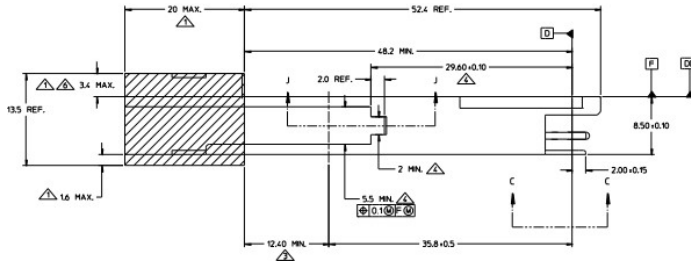
Block Diagram



Mechanical Specifications



- ⊥ INDICATED DIMENSIONS DEFINE ENLARGED SECTION OF TRANSCEIVER THAT EXTENDS OUTSIDE OF CAGE TO ACCOMMODATE MATING PLUG AND ACTUATOR MECHANISM
- ⚙ FLATNESS APPLIES FOR INDICATED LENGTH AND A MIN WIDTH OF 13MM - SURFACE TO BE THERMALLY CONDUCTIVE
- ⚙ INDICATED SURFACES (ALL 4 SIDES) TO BE CONDUCTIVE FOR CONNECTION TO CHASSIS GROUND
- ⚙ DIMENSION APPLIES TO LATCH MECHANISM
- ⚙ INDICATED DIMENSION APPLIES TO THE LOCATION OF THE EDGE OF THE MODULE BOARD PAD. DATUM H, CONTACTS 21, 22, 36, AND 37 ARE VISIBLE.
- ⚙ INDICATED DIMENSION TO INCLUDE BALL TRAVEL
- ⚙ INDICATED DIMENSIONS APPLY TO OPENINGS IN HOUSING
- ⚙ FEATURE MAY BE LONGER THAN SHOWN
- ⚙ HIGHER WATTAGE MODULES MAY REQUIRE ADDITIONAL SPACE FOR COOLING



About Us:

Proline Options is one of North America's leading providers of transceivers and high speed cabling. With a reputation for quality, tested products that cover the connectivity spectrum, Proline Options has a solution for you regardless of the specification.

At Proline Options, every product is tested in its intended application - never batch or spec tested only. We run bandwidth, distance and IOS network tests. We have documented an impressive 0.03% failure rate over the last 10 years. To continue this rate of success we invest millions annually in our own on-site testing lab.



Tel: 855.933.3223

Email: sales@prolineoptions.com

Email: techsupport@prolineoptions.com

Web: <https://www.prolineoptions.com>