

PRO-QARQJU-AOC1M

Arista Networks® AOC-Q-Q-40G-1M to Juniper Networks® JNP-40G-AOC-1M Compatible 40GBase-AOC QSFP+ Active Optical Cable (850nm, MMF, 1m)

Features

- Support up to 4x10 Gbps bi-directional operation
- Compliant to the IEEE802.3ba
- SFF-8436 QSFP+ compliant
- Reliable VCSEL and PIN photonic devices
- I2C standard management interface
- Automatic power down while broken cable is detected to improve eye safety
- Low power consumption
- Excellent high speed signal integrity
- RoHS Compliant and Lead-Free
- Operating Case Temperature 0 to 70 Celsius



Applications:

- 10G/40GBase Ethernet
- Proprietary high speed, high density data
- High performance computing, server and data storage

Product Description

This Arista Networks® AOC-Q-Q-40G-1M to Juniper Networks® JNP-40G-AOC-1M dual oem compatible 40GBase-AOC QSFP+ to QSFP+ active optical cable has a maximum reach of 1.0m (3.3ft). It is 100% Arista Networks® to Juniper Networks® compatible and has been programmed, uniquely serialized, data-traffic and application tested to ensure that it is compliant and functional. This cable will initialize and perform identically to Arista Networks® and Juniper Networks®'s individual cables and is built to meet or exceed OEM specifications. This product complies with MSA (Multi-Source Agreement) standards and is TAA (Trade Acts Agreement) compliant. We stand behind the quality of our products and proudly offer a limited lifetime warranty.

Proline's transceivers are RoHS compliant and lead-free.

TAA refers to the Trade Agreements Act (19 U.S.C. & 2501-2581), which is intended to foster fair and open international trade. TAA requires that the U.S. Government may acquire only "U.S. – made or designated country end products.



Absolute Maximum Ratings

| Parameter | Symbol | Min. | Typ. | Max. | Unit |
|----------------------------|------------------|------|--------|------|------|
| Supply Voltage | V _{CC} | -0.5 | | 3.6 | V |
| Storage Temperature | T _{stg} | -40 | | 85 | °C |
| Operating Case Temperature | T _c | 0 | 25 | 70 | °C |
| Relative Humidity | RH | 5 | | 85 | % |
| Data Rate Per Channel | | | 4*10.3 | | Gbps |

Electrical Specifications

| Parameter | Symbol | Min. | Typ. | Max. | Unit | Notes |
|---------------------|-------------------|-------|------|-------|------|-------|
| Supply Voltage | V _{CC} | 3.135 | 3.3 | 3.465 | V | |
| Supply Current | I _{CC} | | | 400 | mA | |
| Power Dissipation | P _{DISS} | | | 1500 | mW | |
| Clock Rate - I2C | | | | 400 | KHz | 1 |
| Module Turn-on time | | | | 2000 | ms | 2 |

Notes:

1. For the management interface.
2. Time from module power-on/insertion/ResetL de-assert to module fully functional.

Optical Characteristics

| Parameter | Symbol | Min. | Typ. | Max. | Unit | Notes |
|---|---------|------|--------|------|------|-------|
| Transmitter | | | | | | |
| Reference Differential Input | Zd | | 100 | | Ω | 1 |
| Optical Return Loss Tolerance | | | | 12 | dB | |
| Differential Data Input Swing | VIN,pp | 180 | | 1200 | mV | |
| Differential Data Input Threshold | | | 50 | | mV | 2 |
| Receiver | | | | | | |
| Reference Differential Input Impedance | Zd | | 100 | | Ω | 1 |
| Differential Data Output Swing | VOUT,pp | 0 | | 800 | mV | |
| Pre-Emphasis Pulse Amplitude Percentage | | 0 | | | % | 4 |
| | | 10 | | | % | |
| | | 20 | | | % | |
| | | 40 | | | % | |
| Pre-Emphasis Pulse Duration | | | 30 | | ps | |
| Signal Speed | | | 4*10.3 | | Gbps | |
| Differential Data Output Swing | | 150 | | 850 | mV | |
| Differential Data Output Swing When Squelched | | | | 50 | mV | |
| Rise/Fall Time (20-80%) | | 24 | | | ps | |

Notes:

1. AC coupled inside the AOC module.
2. Input swing to trigger Tx-squelch.
3. User selectable. Percentage is the ratio of pre-emphasis amplitude to output swing. Users could change by writing to page 3 address 237, default value is "10."

Pin Descriptions

| Pin | Logic | Symbol | Name/Description | Note |
|-----|-------------|---------|---|------|
| 1 | | GND | Module Ground. | 1 |
| 2 | CML-I | Tx2- | Transmitter Inverted Data Input. | |
| 3 | CML-I | Tx2+ | Transmitter Non-Inverted Data Input. | |
| 4 | | GND | Module Ground. | 1 |
| 5 | CML-I | Tx4- | Transmitter Inverted Data Input. | |
| 6 | CML-I | Tx4+ | Transmitter Non-Inverted Data Input. | |
| 7 | | GND | Module Ground. | 1 |
| 8 | LVTTTL-I | ModSelL | Module Select. | 2 |
| 9 | LVTTTL-I | ResetL | Module Reset. | 2 |
| 10 | | VccRx | +3.3V Receiver Power Supply. | |
| 11 | LVC MOS-I/O | SCL | 2-Wire Serial Interface Clock. | 2 |
| 12 | LVC MOS-I/O | SDA | 2-Wire Serial Interface Data. | 2 |
| 13 | | GND | Module Ground. | 1 |
| 14 | CML-O | Rx3+ | Receiver Non-Inverted Data Output. | |
| 15 | CML-O | Rx3- | Receiver Inverted Data Output. | |
| 16 | | GND | Module Ground. | 1 |
| 17 | CML-O | Rx1+ | Receiver Non-Inverted Data Output. | |
| 18 | CML-O | Rx1- | Receiver Inverted Data Output. | |
| 19 | | GND | Module Ground. | 1 |
| 20 | | GND | Module Ground. | 1 |
| 21 | CML-O | Rx2- | Receiver Inverted Data Output. | |
| 22 | CML-O | Rx2+ | Receiver Non-Inverted Data Output. | |
| 23 | | GND | Module Ground. | 1 |
| 24 | CML-O | Rx4- | Receiver Inverted Data Output. | |
| 25 | CML-O | Rx4+ | Receiver Non-Inverted Data Output. | |
| 26 | | GND | Module Ground. | 1 |
| 27 | LVTTTL-O | ModPrsL | Module Present. Internally pulled down to the GND. | |
| 28 | LVTTTL-O | IntL | Interrupt output should be pulled up on the host board. | 2 |
| 29 | | VccTx | +3.3V Transmitter Power Supply. | |
| 30 | | Vcc1 | +3.3V Power Supply. | |
| 31 | LVTTTL-I | LPMode | Low-Power Mode. | 2 |
| 32 | | GND | Module Ground. | 1 |
| 33 | CML-I | Tx3+ | Transmitter Non-Inverted Data Input. | |
| 34 | CML-I | Tx3- | Transmitter Inverted Data Input. | |
| 35 | | GND | Module Ground. | 1 |

| | | | | |
|----|-------|------|--------------------------------------|--|
| 36 | CML-I | Tx1+ | Transmitter Non-Inverted Data Input. | |
| 37 | CML-I | Tx1- | Transmitter Inverted Data Input. | |

Notes:

1. GND is the symbol for signal and supply (power). Connect these directly to the host board signal common ground plane.
2. VccRx, Vcc1, and VccTx are the receiving and transmission power suppliers and shall be applied concurrently. VccRx, Vcc1, and VccTx may be internally connected within the QSFP+. The connector pins are each rated for a maximum current of 500mA.

Pin Assignment and Pin Description

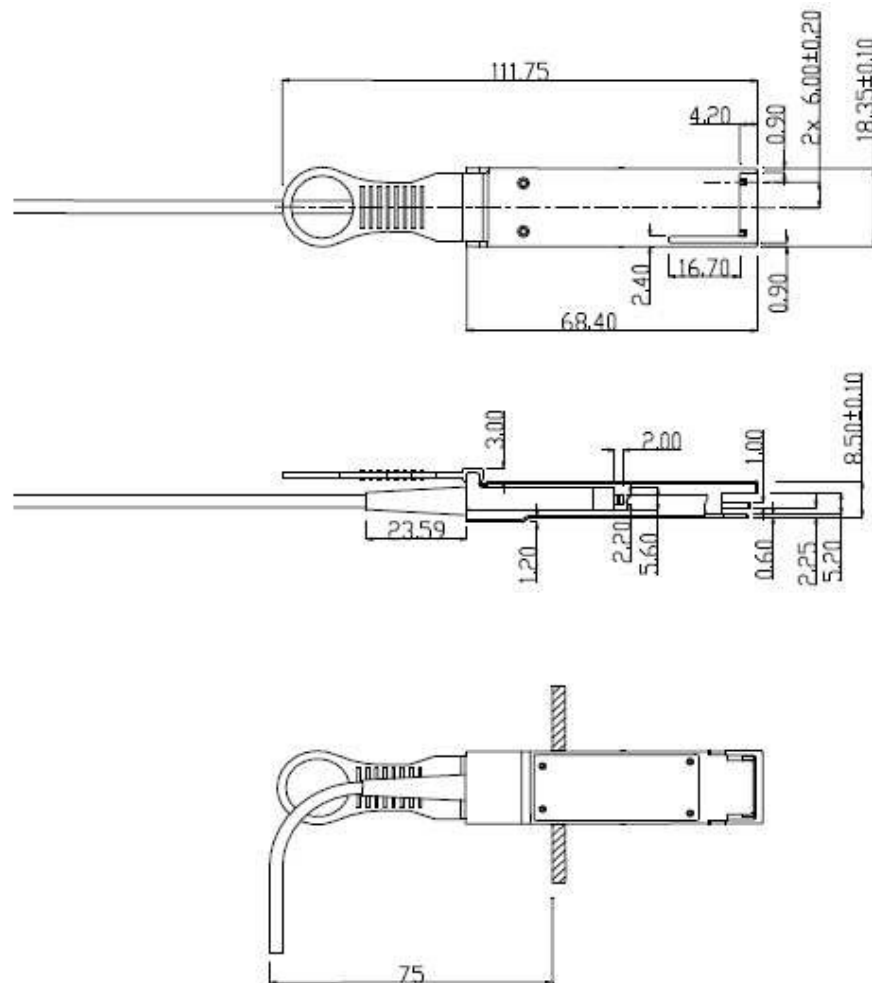


Recommended Application Interface Circuit



Mechanical Specifications

| Parameter | Symbol | Min. | Typ. | Max. | Unit | Notes |
|---|--------|--------|------|--------|--------|-------|
| AOC Cable Length (L<5m) | L | L-0.06 | L | L+0.06 | M | |
| Module Retention | | 90 | | 170 | N | |
| Module Insertion | | 0 | | 18 | N | |
| Module Extraction | | 0 | | 25 | N | |
| Cable Pull Strength – Apply Load at 0° | | 44 | | | N | |
| Cable Pull Strength – Apply Load at 90° | | 33 | | | N | |
| Clearance Out of IO Bezel | | 75 | | | mm | |
| Cable Bending Radius | | 3 | | | cm | |
| Insertion/Removal Cycles | | 50 | | | Cycles | |



Clearance 75mm Is Required.

Cable Type: Low Smoke Zero Halogen

About Us:

Proline Options is one of North America's leading providers of transceivers and high speed cabling. With a reputation for quality, tested products that cover the connectivity spectrum, Proline Options has a solution for you regardless of the specification.

At Proline Options, every product is tested in its intended application - never batch or spec tested only. We run bandwidth, distance and IOS network tests. We have documented an impressive 0.03% failure rate over the last 10 years. To continue this rate of success we invest millions annually in our own on-site testing lab.



Tel: 855.933.3223

Email: sales@prolineoptions.com

Email: techsupport@prolineoptions.com

Web: <https://www.prolineoptions.com>