

**PRO-2X1XLC8XLCPLC1MSM**

1m LC (Male) to 8xLC (Male) Yellow Duplex SMF Fiber Colorless Splitter -40 to 85C

**Features**

- 2 1x8 PLC Splitter
- LC/UPC Connector
- Single-Mode Fiber
- 1M Length
- Operating Wavelength: 1260nm to 1650nm
- Industrial Temperature: -40C to 85C



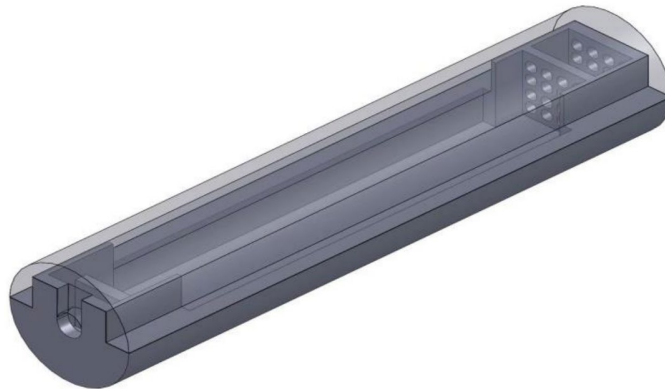
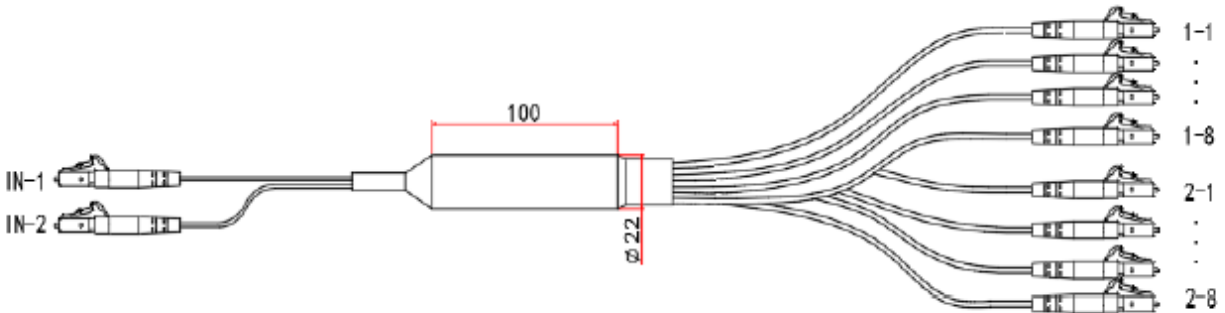
**Product Description**

This is a dual colorless splitter for coherent optical applications. This duplex assembly combines and splits optical signals from coherent transceivers through a pluggable EDFA module. The colorless splitter has 1m single-mode fibers with duplex LC connectors on each leg. Our colorless splitters are 100% compliant for all of your networking needs. Our products are guaranteed by federal law to not affect or void OEM warranties.

## Specifications

Parameter	Specification	Unit
Storage Temperature	-40 to 85	°C
Operating Temperature	-40 to 85	°C
Fiber Length (Includes Connector)	1.0 ± 0.05	m
Fiber Type	G657.A1 Fiber w/2.0mm Cable (Yellow)	
Package Size	Φ22x100	mm
Connector Type	LC/UPC	
Operating Wavelength	1260~1650	nm
Insertion Loss	≤10.5	dB
Uniformity	≤0.8	dB
Polarization-Dependent Loss	≤0.2	
Return Loss	≥50	dB
Directivity	≥50	dB

## Mechanical Specifications



### Notes:

1.  $\varnothing 22 \times 100 \text{mm}$ .

**About Us:**

Proline Options is one of North America's leading providers of transceivers and high speed cabling. With a reputation for quality, tested products that cover the connectivity spectrum, Proline Options has a solution for you regardless of the specification.

At Proline Options, every product is tested in its intended application - never batch or spec tested only. We run bandwidth, distance and IOS network tests. We have documented an impressive 0.03% failure rate over the last 10 years. To continue this rate of success we invest millions annually in our own on-site testing lab.



Tel: 855.933.3223

Email: [sales@prolineoptions.com](mailto:sales@prolineoptions.com)

Email: [techsupport@prolineoptions.com](mailto:techsupport@prolineoptions.com)

Web: <https://www.prolineoptions.com>