

### NTTA03BJE6-PRO

Ciena® NTTA03BJE6 Compatible TAA Compliant 100GBase-LR4 CFP Transceiver (SMF, 1310nm, 10km, DOM, 0 to 70C, LC)

#### Features

- CFP MSA 1.4 Compliance
- Duplex LC Connector
- Commercial Temperature 0 to 70 Celsius
- Single-mode Fiber
- Hot Pluggable
- Excellent ESD Protection
- Metal with Lower EMI
- RoHS Compliant and Lead Free



#### Applications:

- 100GBase Ethernet
- Access and Enterprise

#### Product Description

This Ciena® NTTA03BJE6 compatible CFP transceiver provides 100GBase-LR4 throughput up to 10km over single-mode fiber (SMF) using a wavelength of 1310nm via an LC connector. It is guaranteed to be 100% compatible with the equivalent Ciena® transceiver. This easy to install, hot swappable transceiver has been programmed, uniquely serialized and data-traffic and application tested to ensure that it will initialize and perform identically. Digital optical monitoring (DOM) support is also present to allow access to real-time operating parameters. This transceiver is Trade Agreements Act (TAA) compliant. We stand behind the quality of our products and proudly offer a limited lifetime warranty.

Proline's transceivers are RoHS compliant and lead-free.

TAA refers to the Trade Agreements Act (19 U.S.C. & 2501-2581), which is intended to foster fair and open international trade. TAA requires that the U.S. Government may acquire only "U.S. – made or designated country end products.



### Absolute Maximum Ratings

Parameter	Symbol	Min.	Max.	Unit
Storage Temperature	$T_s$	-40	+85	°C
Case Temperature	$T_c$	-5	+75	°C
Supply Voltage	$V_{cc}$	-0.5	3.6	V
Operating Relative Humidity	RH	5	85	%

### Recommended Operating Conditions

Parameter	Symbol	Min.	Typ.	Max.	Unit
Operating Case Temperature	$T_c$	0		+70	°C
Power Supply Voltage	VCC	3.2	3.3	3.4	V
Power Supply Current	ICC		2700		mA

### Electrical Characteristics

Parameter	Symbol	Min.	Typ.	Max.	Unit	Notes
<b>Transmitter</b>						
Input Amplitude (Differential)	$V_{in}$			1050	mVpp	AC coupled inputs
Input Impedance (Differential)	$Z_{in}$	80	100	120	Ohms	$R_{in} > 100$ kohms @ DC
<b>Receiver</b>						
Output Amplitude (Differential)	$V_{out}$	360		770	mVpp	AC coupled outputs
Output Impedance (Differential)	$Z_{out}$	80	100	120	Ohms	
Output Rise/Fall Time	$T_r/t_f$	24			Ps	20%~80%

## Optical Characteristics

Parameter	Symbol	Min.	Typ.	Max.	Unit
<b>Transmitter</b>					
Signaling Speed Per Lane	$BR_{AVE}$		27.95		Gbps
Data Rate Variation		-20		20	Ppm
Lane_0 Center Wavelength	$\lambda_{C0}$	1294.53	1295.56	1296.59	Nm
Lane_1 Center Wavelength	$\lambda_{C1}$	1299.02	1300.05	1301.09	Nm
Lane_2 Center Wavelength	$\lambda_{C2}$	1303.54	1304.58	1305.63	nm
Lane_3 Center Wavelength	$\lambda_{C3}$	1308.09	1309.14	1310.19	Nm
Total Average Output Power (Note 5&6)	$P_{O1}$			8.9	dBm
Average Launch Power per Lane (Note 6)	$P_{each1}$	-2.7		2.9	dBm
Maximum Channel Power Difference				3.6	dB
Side Mode Suppression Ratio	SMSR	30			dB
Optical Return Loss Tolerance				20	dB
Extinction Ratio (Note 6)	$ER_1$	8			dB
Transmitter Eye Mask Definition {X1, X2, X3, Y1, Y2, Y3} (Note 6)		G.959.1 Compliant			
TX Disable Assert Time	$T_{off}$			100	Us
<b>Receiver</b>					
Signaling Speed Per Lane	$BR_{AVE}$		27.95		Gbps
Data Rate Variation		-20		20	Ppm
Lane_0 Center Wavelength	$\lambda_{C0}$	1294.53	1295.56	1296.69	Nm
Lane_1 Center Wavelength	$\lambda_{C1}$	1299.02	1300.05	1301.09	Nm
Lane_2 Center Wavelength	$\lambda_{C2}$	1303.54	1304.58	1305.63	Nm
Lane_3 Center Wavelength	$\lambda_{C3}$	1308.09	1309.14	1310.19	Nm
Average Receive Power for Each Lane (Note 9)	$R_{pow1}$	-20.7		4.5	dBm
Maximum Mean Total Input Power				10.5	dBm
Equivalent Sensitivity per Lane (Note 11)	$P_{min1}$			-23.2	dBm
Maximum Channel Power Difference				4.5	dB

## 100GBase-ER4 Operation

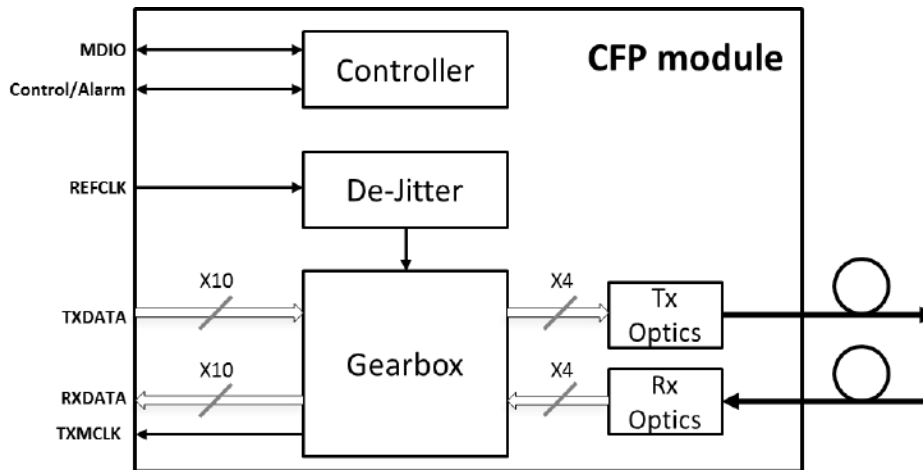
Parameter	Symbol	Min.	Typ.	Max.	Unit
<b>Transmitter</b>					
Signaling Speed Per Lane	$BR_{AVE}$		25.78		Gbps
Data Rate Variation		-100		100	Ppm
Lane_0 Center Wavelength	$\lambda_{C0}$	1294.53	1295.56	1296.59	Nm
Lane_1 Center Wavelength	$\lambda_{C1}$	1299.02	1300.05	1301.09	Nm
Lane_2 Center Wavelength	$\lambda_{C2}$	1303.54	1304.58	1305.63	nm
Lane_3 Center Wavelength	$\lambda_{C3}$	1308.09	1309.14	1310.19	Nm
Total Average Output Power (Note 5&6)	$P_{O1}$			8.9	dBm
Average Launch Power per Lane (Note 6)	$P_{each2}$	-2.9		2.9	dBm
Optical Modulation Amplitude	OMA	0.1		4.5	dB
Side Mode Suppression Ratio	SMSR	30			dB
Optical Return Loss Tolerance				20	dB
Extinction Ratio (Note 6)	$ER_2$	8			dB
Transmitter Eye Mask Definition {X1, X2, X3, Y1, Y2, Y3} (Note 8)		IEEE802.3ba-2010 Compliant			
TX Disable Assert Time	$T_{off}$			100	Us
<b>Receiver</b>					
Signaling Speed Per Lane	$BR_{AVE}$		25.78		Gbps
Data Rate Variation		-100		100	Ppm
Lane_0 Center Wavelength	$\lambda_{C0}$	1294.53	1295.56	1296.59	Nm
Lane_1 Center Wavelength	$\lambda_{C1}$	1299.02	1300.05	1301.09	Nm
Lane_2 Center Wavelength	$\lambda_{C2}$	1303.54	1304.58	1305.63	Nm
Lane_3 Center Wavelength	$\lambda_{C3}$	1308.09	1309.14	1310.19	Nm
Average Receive Power for Each Lane (Note 9)	$R_{pow2}$	-20.9		4.5	dBm
Receiver Power (OMA)	$P_{ovl}$			4.5	dBm
Difference in Receive Power Between Any Two Lanes (Average and OMA)				4.5	dB
Receive Sensitivity (OMA) per Lane (Note 12)	$P_{min2}$			-21.4	dBm
Stressed Sensitivity (OMA) per lane	SRS			-17.9	dBm

### Notes:

1. Output is coupled into a 9/125 $\mu$ m single-mode fiber.
2. Filtered, measured with a PRBS  $2^{31}-1$  test pattern @ 27.95Gbps

3. High speed I/O, internally AC coupled
4. Filtered, measured with a PRBS  $2^{31}-1$  test pattern @ 25.78Gbps
5. CFP transceiver works in OTU4 4I1-9C1F mode
6. CFP transceiver works in 100GBase-ER4 mode
7. Measured at BER less than  $1E-12$ , with a  $2^{31}-1$  PRBS@ 27.95Gbps (W/ FEC)
8. Measured at BER less than  $1E-12$ , with a  $2^{31}-1$  PRBS@ 25.78Gbps

### Functional Description of Transceiver



## Pin Descriptions

### Part A: Bottom Row Pin Function Definition

Pin	Symbol	Type	I/O	Description
1	3.3V_GND	GND		3.3V Module Supply Voltage Return Ground, can be separate or tied together with Signal Ground
2	3.3V_GND	GND		
3	3.3V_GND	GND		
4	3.3V_GND	GND		
5	3.3V_GND	GND		
6	3.3V	VCC		3.3V Module Supply
7	3.3V	VCC		
8	3.3V	VCC		
9	3.3V	VCC		
10	3.3V	VCC		
11	3.3V	VCC		
12	3.3V	VCC		
13	3.3V	VCC		
14	3.3V	VCC		
15	3.3V	VCC		
16	3.3V_GND	GND		
17	3.3V_GND	GND		
18	3.3V_GND	GND		
19	3.3V_GND	GND		
20	3.3V_GND	GND		
21	NC		I/O	Do not use
22	NC		I/O	Do not use
23	GND	GND		
24	(TX_MCLKn)	CML	O	Do not use
25	(TX_MCLKp)	CML	O	Do not use
26	GND	GND		
27	NC		I/O	Do not use
28	NC		I/O	Do not use
29	NC		I/O	Do not use
30	PRG_CTL1	LVC MOS w/PU	I	Programmable Control 1 set via MDIO, MSA default: TRXIC_RSTn-TX & RX IC reset. "0"=reset, "1" or NC = enabled or not used
31	PRG_CTL2	LVC MOS w/PU	I	Programmable Control 2 set via MDIO, MSA default: Hardware power Interlock LSB, "00" = <8W, "01" = <16W, "10" < 24W, "11" or NC = >24W or not used
32	PRG_CTL3			Programmable Control 3 set via MDIO, MSA default: Hardware power Interlock MSB, "00" = <8W, "01" = <16W, "10" < 24W, "11" or NC = >24W or not used
33	PRG_ALARM1	LVC MOS	O	Programmable Alarm 1 set via MDIO, Reflex default: HIPWR_ON, Module power on indicator. "1" = Module high power up completed, "0" = Module not high powered up
34	PRG_ALARM2	LVC MOS	O	Programmable Alarm 2 set via MDIO, Reflex default: MOD_READY, module initialization complete, "1" = complete, "0" = not complete

35	PRG_ALARM3	LVC MOS	O	Programmable Alarm 3 set via MDIO, Reflex default: MOD_FAULT, module fault detected, "1" = fault, "0" = no fault
36	TX_DIS	LVC MOS w/PU	I	Transmitter Disable for all channels, "1" or NC = transmitter disabled, "0" = transmitter enabled
37	MOD_LOPW	LVC MOS w/PU	I	Module low power mode. "1" or NC = module in low power (safe) mode, "0" = power-on enabled
38	MOD_ABS	GND	O	Module Absent. "1" or NC = Module absent, "0" = module present. Pull-up resistor on Host
39	MOD_RSTn	LVC MOS w/PD	I	Module Reset. "0" = reset the module, "1" or NC = module enabled, Pull Down resistor in module
40	RX_LOS	LVC MOS	O	Receiver loss of optical signal on any channel, "1" = loss of signal, "0" = normal condition
41	GLB_ALRMn	LVC MOS	O	Global Alarm. "0" = alarm condition in any MDIO alarm register, "1" = no alarm
42	PRTADR4	1.2V CMOS	I	MDIO port address bit 4
43	PRTADR3	1.2V CMOS	I	MDIO port address bit 3
44	PRTADR2	1.2V CMOS	I	MDIO port address bit 2
45	PRTADR1	1.2V CMOS	I	MDIO port address bit 1
46	PRTADR0	1.2V CMOS	I	MDIO port address bit 0
47	MDIO	1.2V CMOS	I/O	Management Data I/O bi-directional data (electrical specs as per 802.3ae)
48	MDO	1.2V CMOS	I	Management data clock (electrical specs as per 802.3ae)
49	GND	GND		
50	NC		I/O	Do not use
51	NC		I/O	Do not use
52	GND	GND		
53	NC		I/O	Do not use
54	NC		I/O	Do not use
55	3.3V_GND	GND		3.3V Module Supply Voltage Return Ground, can be separate or tied together with Signal Ground
56	3.3V_GND	GND		
57	3.3V_GND	GND		
58	3.3V_GND	GND		
59	3.3V_GND	GND		
60	3.3V	VCC		3.3V Module Supply
61	3.3V	VCC		
62	3.3V	VCC		
63	3.3V	VCC		
64	3.3V	VCC		
65	3.3V	VCC		
66	3.3V	VCC		
67	3.3V	VCC		
68	3.3V	VCC		
69	3.3V	VCC		
70	3.3V_GND	GND		
71	3.3V_GND	GND		
72	3.3V_GND	GND		

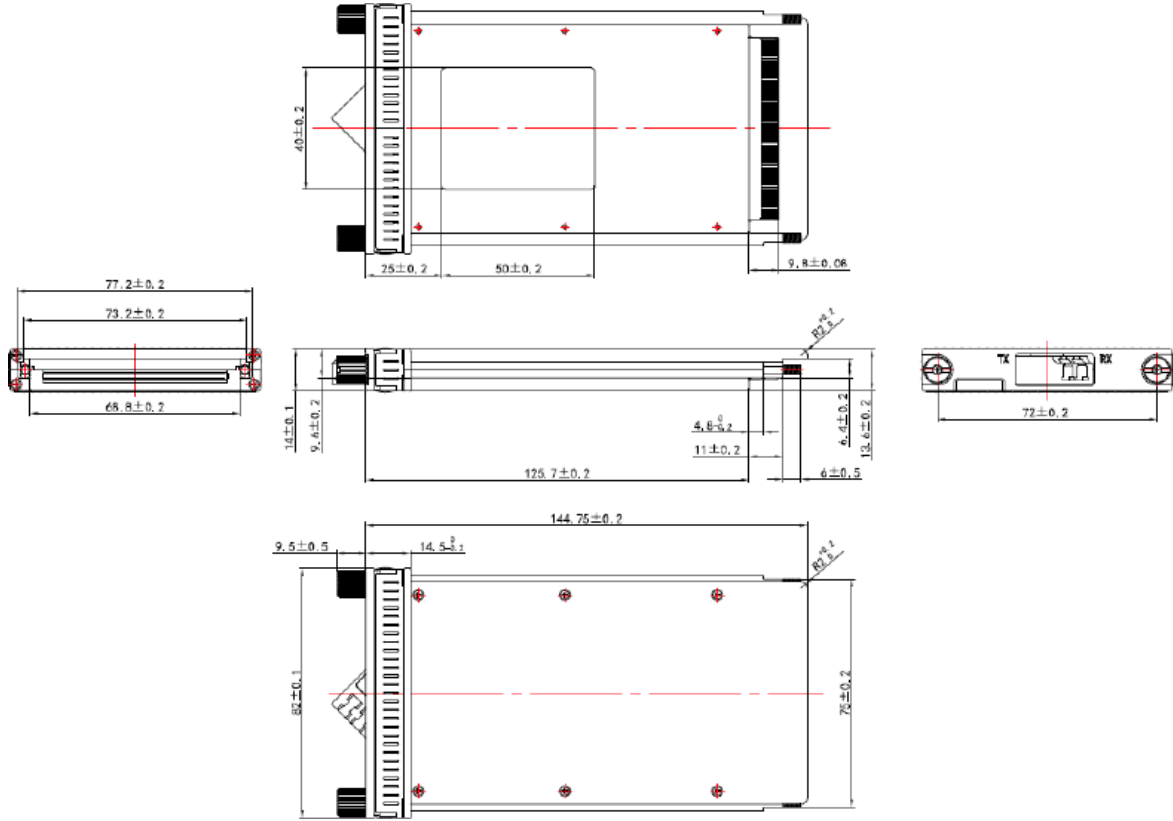
<b>73</b>	3.3V_GND	GND		
<b>74</b>	3.3V_GND	GND		

Part B: Top Row Pin Function Definition

Pin	Symbol	Pin	Symbol	Pin	Symbol	Pin	Symbol	Pin	Symbol
<b>148</b>	GND	136	GND	124	GND	112	GND	100	RX7p
<b>147</b>	Not used	135	TX7n	123	TX3n	111	GND	99	GND
<b>146</b>	Not used	134	TX7p	122	TX3p	110	Not used	98	RX6n
<b>145</b>	GND	133	GND	121	GND	109	Not used	97	RX6p
<b>144</b>	Not used	132	TX6n	120	TX2n	108	GND	96	GND
<b>143</b>	Not used	131	TX6p	119	TX2p	107	RX9n	95	RX5n
<b>142</b>	GND	130	GND	118	GND	106	RX9p	94	RX5p
<b>141</b>	TX9n	129	TX5n	117	TX1n	105	GND	93	GND
<b>140</b>	TX9p	128	TX5p	116	TX1p	104	RX8n	92	RX4n
<b>139</b>	GND	127	GND	115	GND	103	RX8p	91	RX4p
<b>138</b>	TX8n	126	TX4n	114	TX0n	102	GND	90	GND
<b>137</b>	TX8p	125	TX4p	113	TX0p	101	RX7n	89	RX3n
<b>88</b>	RX3p	85	RX2p	82	RX1p	79	RX0p	76	Not used
<b>87</b>	GND	84	GND	81	GND	78	GND	75	GND
<b>86</b>	RX2n	83	RX1n	80	RX0n	77	Not used		



# Mechanical Specifications



**About Us:**

Proline Options is one of North America's leading providers of transceivers and high speed cabling. With a reputation for quality, tested products that cover the connectivity spectrum, Proline Options has a solution for you regardless of the specification.

At Proline Options, every product is tested in its intended application - never batch or spec tested only. We run bandwidth, distance and IOS network tests. We have documented an impressive 0.03% failure rate over the last 10 years. To continue this rate of success we invest millions annually in our own on-site testing lab.



Tel: 855.933.3223

Email: [sales@prolineoptions.com](mailto:sales@prolineoptions.com)

Email: [techsupport@prolineoptions.com](mailto:techsupport@prolineoptions.com)

Web: <https://www.prolineoptions.com>