

### 3HE15212AA-40-PRO

Alcatel-Lucent Nokia® 3HE15212AA-40 Compatible TAA Compliant 400GBase-ER8 PAM4 QSFP-DD Transceiver (SMF, 1270nm to 1330nm, 0 to 70C, LC)

#### Features

- Compliant with IEEE std 802.3cn-2019
- Compliant with QSFP-DD CMIS Rev 4.0
- Compliant with QSFP-DD MSA HW Rev 5.1
- Maximum link length of 40km on Single Mode Fiber (SMF)
- 8x50G PAM4 retimed 400GAUI-8 electrical interface
- Power dissipation <14W
- Class 1/1M Laser
- Operating Case Temperature 0 to 70 Celsius
- I2C management interface
- Duplex LC receptacles
- RoHS Compliant and Lead-Free



#### Applications:

- 400GBase Ethernet
- Access and Enterprise

#### Product Description

This Alcatel-Lucent Nokia® 3HE15212AA-40 compatible QSFP-DD transceiver provides 400GBase-ER8 throughput up to 40km over single-mode fiber (SMF) using a wavelength of 1270nm to 1330nm via an LC connector. It is guaranteed to be 100% compatible with the equivalent Alcatel-Lucent Nokia® transceiver. This easy to install, hot swappable transceiver has been programmed, uniquely serialized and data-traffic and application tested to ensure that it will initialize and perform identically. Digital optical monitoring (DOM) support is also present to allow access to real-time operating parameters. This transceiver is Trade Agreements Act (TAA) compliant. We stand behind the quality of our products and proudly offer a limited lifetime warranty.

Proline's transceivers are RoHS compliant and lead-free.

TAA refers to the Trade Agreements Act (19 U.S.C. & 2501-2581), which is intended to foster fair and open international trade. TAA requires that the U.S. Government may acquire only "U.S. – made or designated country end products.



## Regulatory Compliance

- ESD to the Electrical PINs: compatible with MIL-STD-883E Method 3015.4
- ESD to the LC Receptacle: compatible with IEC 61000-4-3
- EMI/EMC compatible with FCC Part 15 Subpart B Rules, EN55022:2010
- Laser Eye Safety compatible with FDA 21CFR, EN60950-1& EN (IEC) 60825-1,2
- RoHS compliant with EU RoHS 2.0 directive 2015/863/EU

## Absolute Maximum Ratings

Parameter	Symbol	Min.	Typ.	Max.	Unit	Notes
Storage Temperature	T <sub>s</sub>	-40		85	°C	
Maximum Supply Voltage	V <sub>cc</sub>	-0.5		3.6	V	
Relative Humidity (non-condensing)	RH	5		95	%	
Operating Case Temperature	T <sub>opr</sub>	0		70	°C	
Relative Humidity (non-condensing)	RH	5		85	%	
Control Input Voltage	V <sub>i</sub>	-0.3		V <sub>cc</sub> +0.5	V	
Control Output Current	I <sub>o</sub>	-20		20	mA	
Signaling Speed per Lane	DRL		26.5625		GBd	
Operating Distance		0.002		40	km	1

## Notes:

1. Channel insertion loss is 18dB for 40km.

### Electrical Characteristics (High Speed Signal- compliant with IEEE 802.3 400GAUI-8)

Parameter	Symbol	Min	Typ	Max	Unit	Notes
Supply Voltage	V <sub>CC</sub>	3.135	3.3	3.465	V	
Maximum Power Dissipation	P <sub>D</sub>			14	W	
Maximum Power Dissipation, Low Power Mode	P <sub>DLP</sub>			1.5	W	
Instantaneous peak current at hot plug	I <sub>CC_IP</sub>			5600	mA	
Sustained peak current at hot plug	I <sub>CC_SP</sub>			4620	mA	
Control Input Voltage High	V <sub>IH</sub>	V <sub>CC</sub> *0.7		V <sub>CC</sub> +0.3	V	
Control Input Voltage Low	V <sub>IL</sub>	-0.3		V <sub>CC</sub> *0.3	V	
Two Wire Serial Interface Clock Rate				400	kHz	
Power Supply Noise				66	mVpp	
Rx Differential Data Output Load			100		Ohm	
<b>Transmitter</b>						
AC Common- mode output Voltage (RMS)				17.5	mV	
Differential Output Voltage				900	mV	
Near end Eye Height, differential		70			mV	
Far-end Eye height, differential		30			mV	
Eye width Far end pre-cursor ratio				2.5	%	
Differential Termination Mismatch				10	%	
Transition Time (min, 20% to 80%)		9.5			ps	
DC common mode Voltage		-350		2850	mV	
<b>Receiver</b>						
Differential pk-pk input Voltage tolerance		900			mV	
Differential termination mismatch				10	%	
Single-ended voltage tolerance range		-0.4		3.3	V	
DC common mode Voltage		-350		2850	mV	
<b>Low Speed Signal (compliant with QSFP-DD HW Rev 5.1)</b>						
Module output SCL and SDA	V <sub>OL</sub>	0		0.4	V	
Module Input SCL and SDA	V <sub>IL</sub>	-0.3		V <sub>CC</sub> *0.3	V	
	V <sub>IH</sub>	V <sub>CC</sub> *0.7		V <sub>CC</sub> +0.5	V	
InitMode, ResetL and ModSelL	V <sub>IL</sub>	-0.3		0.8	V	
	V <sub>IH</sub>	2		V <sub>CC</sub> +0.3	V	
IntL		0		0.4	V	
		V <sub>CC</sub> -0.5		V <sub>CC</sub> +0.3	V	

## Optical Characteristics

Parameter	Symbol	Min	Typical	Max	Unit	Notes	
<b>Transmitter</b>							
<b>Transmit wavelengths</b>	L0	$\lambda_{c0}$	1272.55	1273.55	1274.54	nm	
	L1	$\lambda_{c1}$	1276.89	1277.89	1278.89	nm	
	L2	$\lambda_{c2}$	1281.25	1282.26	1283.27	nm	
	L3	$\lambda_{c3}$	1285.65	1286.67	1287.68	nm	
	L4	$\lambda_{c4}$	1294.53	1295.56	1296.59	nm	
	L5	$\lambda_{c5}$	1299.02	1300.06	1301.09	nm	
	L6	$\lambda_{c6}$	1303.54	1304.59	1305.63	nm	
	L7	$\lambda_{c7}$	1308.09	1309.14	1310.19	nm	
<b>Side Mode Suppression Ratio</b>	SMSR	30			dB		
<b>Total Average Launch Power</b>	AOPT			14.6	dBm		
<b>Average Launch Power, each lane</b>	AOPL	0.6		5.6	dBm	1	
<b>Outer Optical Modulation Amplitude (OMA<sub>outer</sub>), each Lane</b>	TOMA	2.4		6.4	dBm		
<b>Difference in Launch Power between any two Lanes (OMA<sub>outer</sub>)</b>	DT OMA			4	dB		
<b>Launch Power in OMA<sub>outer</sub> minus TDECQ, each lane</b>	TOMA,TDECQ	1			dBm		
<b>Transmitter and Dispersion Eye Closure for PAM4 (TDECQ), each lane</b>	TDECQ			3.4	dB		
<b>TDECQ-10log<sub>10</sub>(Ceg)</b>				3.4	dB		
<b>Average Launch Power of OFF Transmitter, each lane</b>	TOFF			-30	dBm		
<b>Extinction Ratio</b>	ER	6			dB		
<b>RIN<sub>15OMA</sub></b>	RIN			-132	dB/Hz	1	
<b>Optical Return Loss Tolerance</b>	ORL			15	dB		
<b>Transmitter Reflectance</b>	TR			-26	dB	2	
<b>Receiver</b>							
<b>Receiver wavelengths</b>	L0	$\lambda_{c0}$	1272.55	1273.55	1274.54	nm	
	L1	$\lambda_{c1}$	1276.89	1277.89	1278.89	nm	
	L2	$\lambda_{c2}$	1281.25	1282.26	1283.27	nm	
	L3	$\lambda_{c3}$	1285.65	1286.67	1287.68	nm	
	L4	$\lambda_{c4}$	1294.53	1295.56	1296.59	nm	
	L5	$\lambda_{c5}$	1299.02	1300.06	1301.09	nm	
	L6	$\lambda_{c6}$	1303.54	1304.59	1305.63	nm	
	L7	$\lambda_{c7}$	1308.09	1309.14	1310.19	nm	
<b>Damage Threshold, each Lane</b>	AOPD	-3.4			dBm		

Average Receive Power, each Lane	AOPR	18.6		-4.4	dBm	
Receiver Power (OMAouter), each Lane	OMAR			-3.6	dBm	
Difference in Receiver Power between any two Lanes (OMAouter)	DR_OMA			5.8	dB	
Receiver Reflectance	RR			-26	dB	
Receiver Sensitivity (OMAouter), each Lane	SOMA	-		Max(-16.1, SECQ-17.5)	dBm	3
Stressed Receiver Sensitivity (OMAouter), each Lane	SRS			-14.1	dBm	4
<b>Conditions of stressed receiver sensitivity test:</b>						
Stressed eye closure for PAM4 (SECQ), lane under test			3.4		dB	
SECQ-10log10(Ceg), lane under test				3.4	dB	
OMAouter of each aggressor lane			-8.3		dBm	

**Notes:**

1. Average launch power, each lane (min) is informative and not the principle of signal strength
2. Transmitter reflectance is defined looking into the transmitter
3. Receiver sensitivity (OMAouter), each lane (max) is informative and is defined for a transmitter with SECQ of 1.4 dB.
4. Measured with conformance test signal at TP3 for the BER =  $2.4 \times 10^{-4}$

**Timing for Soft Control and Status Functions**

Parameter	Symbol	Min	Max	Unit	Notes
MgmtInit Duration			2000	ms	
ResetL Assert Time	t_reset_init	10		μs	
IntL Assert Time	ton_IntL		200	ms	
IntL Deassert Time	toff_IntL		500	μs	
Rx LOS Assert Time	ton_losf		100	ms	
Flag Assert Time	ton_flag		200	ms	
Mask Assert Time	ton_mask		100	ms	
Mask Deassert Time	toff_mask		100	ms	
Module Select Wait Time	ModSelL Wait Time		N/A		Not support

### I/O Timing for Squelch and Disable

Parameter	Symbol	Min	Max	Unit	Notes
Rx Squelch Assert Time	ton_Rxsq		50	ms	
Tx Squelch Assert Time	ton_Txsq		400	ms	
Tx Squelch Deassert Time	toff_Txsq		1500	ms	Based on Modulation
Tx Disable Assert Time (fast mode)	ton_Txdisf		3	ms	
Tx Disable Deassert Time (fast mode)	toff_Txdisf		10	ms	
Rx Output Disable Assert Time	ton_Rxdis		100	ms	
Rx Output Disable Deassert Time	toff_Rxdis		100	ms	
Squelch Disable Assert Time	ton_sqdis		N/A	ms	Not support
Squelch Disable Deassert Time	toff_sqdis		N/A	ms	Not support

### Digital Diagnostics

Parameter	Range	Accuracy	Unit	Calibration
Temperature	0 to 70	±3	°C	Internal
Voltage	0 to VCC	0.1	V	Internal
Tx Bias Current (Each Lane)	0 to 100	10%	mA	Internal
Tx Output Power (Each Lane)	-0.6 to +5.6	±3	dB	Internal
Rx Receive Power (Each Lane)	-18.6 to -4.4	±3	dB	Internal

## Pin Descriptions

Pin	Logic	Symbol	Name/Descriptions
1		GND	Ground
2	CML-I	Tx2n	Transmitter Inverted Data Input
3	CML-I	Tx2p	Transmitter Non-inverted Data Input
4		GND	Ground
5	CML-I	Tx4n	Transmitter Inverted Data Input
6	CML-I	Tx4p	Transmitter Non-inverted Data Input
7		GND	Ground
8	LVTTTL-I	ModSelL	Module Select
9	LVTTTL-I	ResetL	Module Reset
10		VccRx	+3.3V Power Supply Receiver
11	LVC MOS-I/O	SCL	2-wire serial interface clock
12	LVC MOS-I/O	SDA	2-wire serial interface data
13		GND	Ground
14	CML-O	Rx3p	Receiver Non-inverted Data Output
15	CML-O	Rx3n	Receiver Inverted Data Output
16		GND	Ground
17	CML-O	Rx1p	Receiver Non-inverted Data Output
18	CML-O	Rx1n	Receiver Inverted Data Output
19		GND	Ground
20		GND	Ground
21	CML-O	Rx2n	Receiver Inverted Data Output
22	CML-O	Rx2p	Receiver Non-inverted Data Output
23		GND	Ground
24	CML-O	Rx4n	Receiver Inverted Data Output
25	CML-O	Rx4p	Receiver Non-inverted Data Output
26		GND	Ground
27	LVTTTL-O	ModPrsL	Module Present
28	LVTTTL-O	IntL	Interrupt
29		VccTx	+3.3V Power Supply Transmitter
30		Vcc1	+3.3V Power Supply
31	LVTTTL-I	InitMode	Initialization mode
32		GND	Ground
33	CML-I	Tx3p	Transmitter Non-inverted Data Input
34	CML-I	Tx3n	Transmitter Inverted Data Input
35		GND	Ground
36	CML-I	Tx1p	Transmitter Non-inverted Data Input
37	CML-I	Tx1n	Transmitter Inverted Data Input
38		GND	Ground
39		GND	Ground

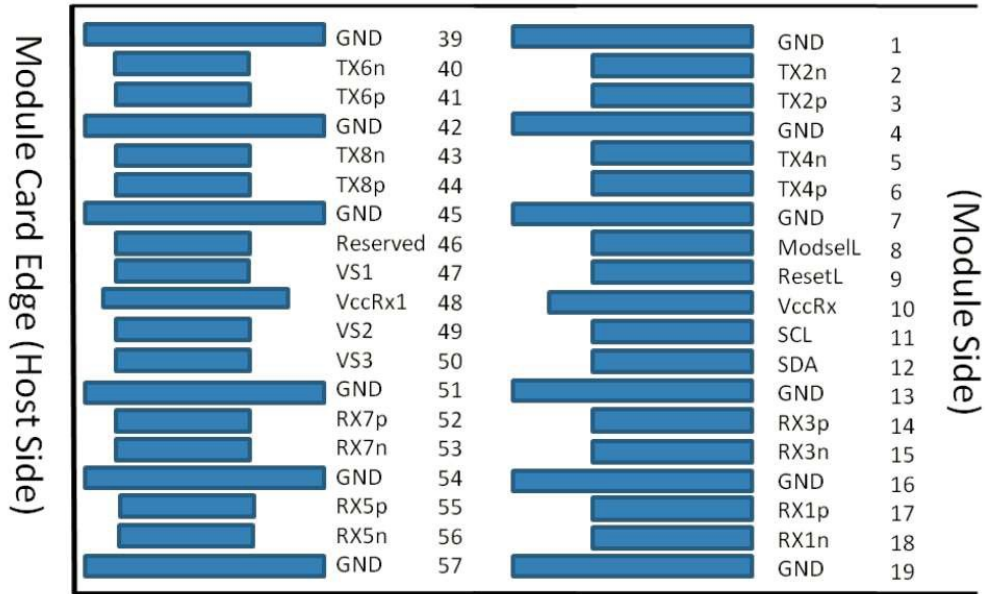
40	CML-I	Tx6n	Transmitter Inverted Data Input
41	CML-I	Tx6p	Transmitter Non-inverted Data Input
42		GND	Ground
43	CML-I	Tx8n	Transmitter Inverted Data Input
44	CML-I	Tx8p	Transmitter Non-inverted Data Input
45		GND	Ground
46		Reserved	
47		VS1	Module Vendor Specific 1
48		VccRx1	3.3V Power Supply
49		VS2	Module Vendor Specific 2
50		VS3	Module Vendor Specific 3
51		GND	Ground
52	CML-O	Rx7p	Receiver Non-inverted Data Output
53	CML-O	Rx7n	Receiver Inverted Data Output
54		GND	Ground
55	CML-O	Rx5p	Receiver Non-inverted Data Output
56	CML-O	Rx5n	Receiver Inverted Data Output
57		GND	Ground
58		GND	Ground
59	CML-O	Rx6n	Receiver Inverted Data Output
60	CML-O	Rx6p	Receiver Non-inverted Data Output
61		GND	Ground
62	CML-O	Rx8n	Receiver Inverted Data Output
63	CML-O	Rx8p	Receiver Non-inverted Data Output
64		GND	Ground
65		NC	Not connected
66		Reserved	
67		VccTx1	3.3V Power Supply
68		Vcc2	3.3V Power Supply
69		Reserved	
70		GND	Ground
71	CML-I	Tx7p	Transmitter Non-inverted Data Input
72	CML-I	Tx7n	Transmitter Inverted Data Input
73		GND	Ground
74	CML-I	Tx5p	Transmitter Non-inverted Data Input
75	CML-I	Tx5n	Transmitter Inverted Data Input
76		GND	Ground

**Notes:**

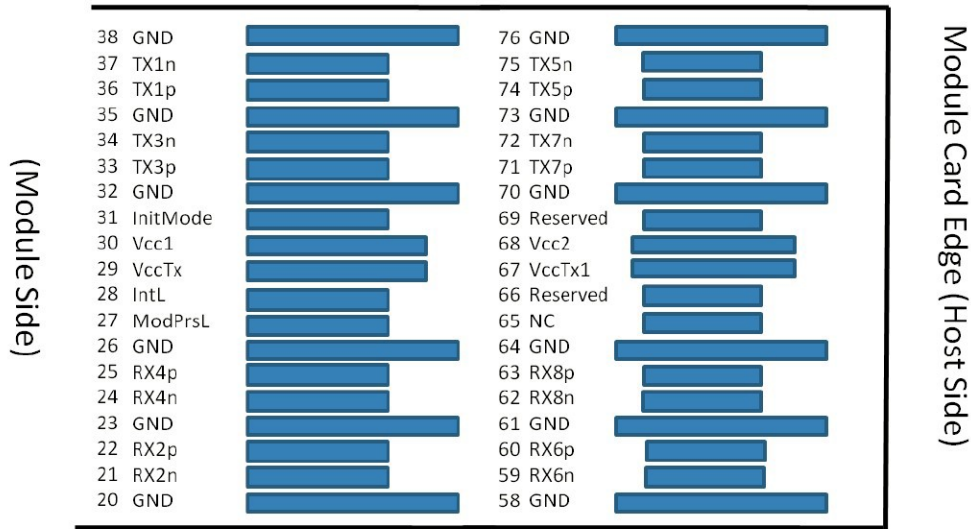
1. Circuit ground is internally isolated from chassis ground.



# MSA Compliant Connector



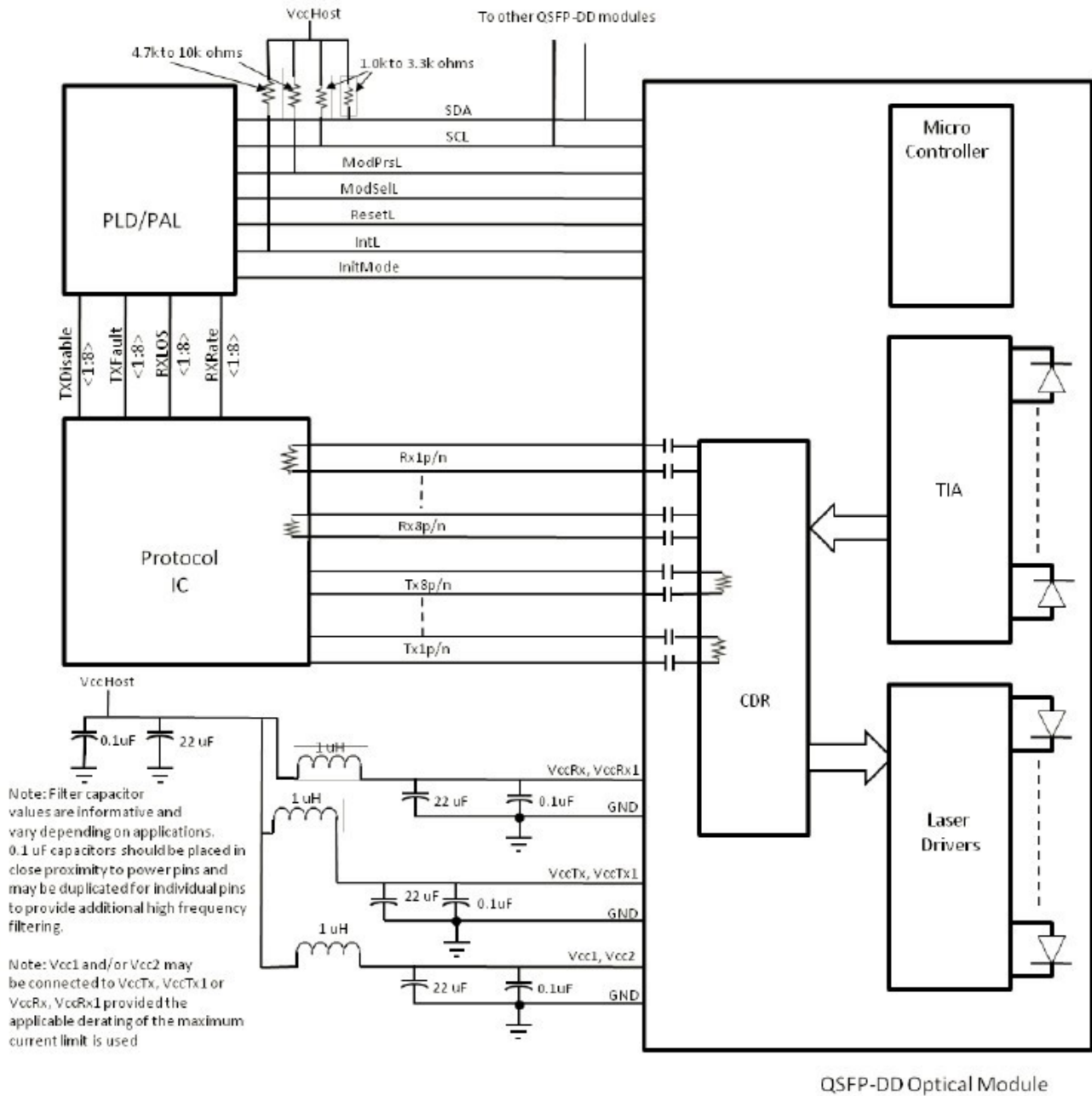
Bottom side viewed from bottom



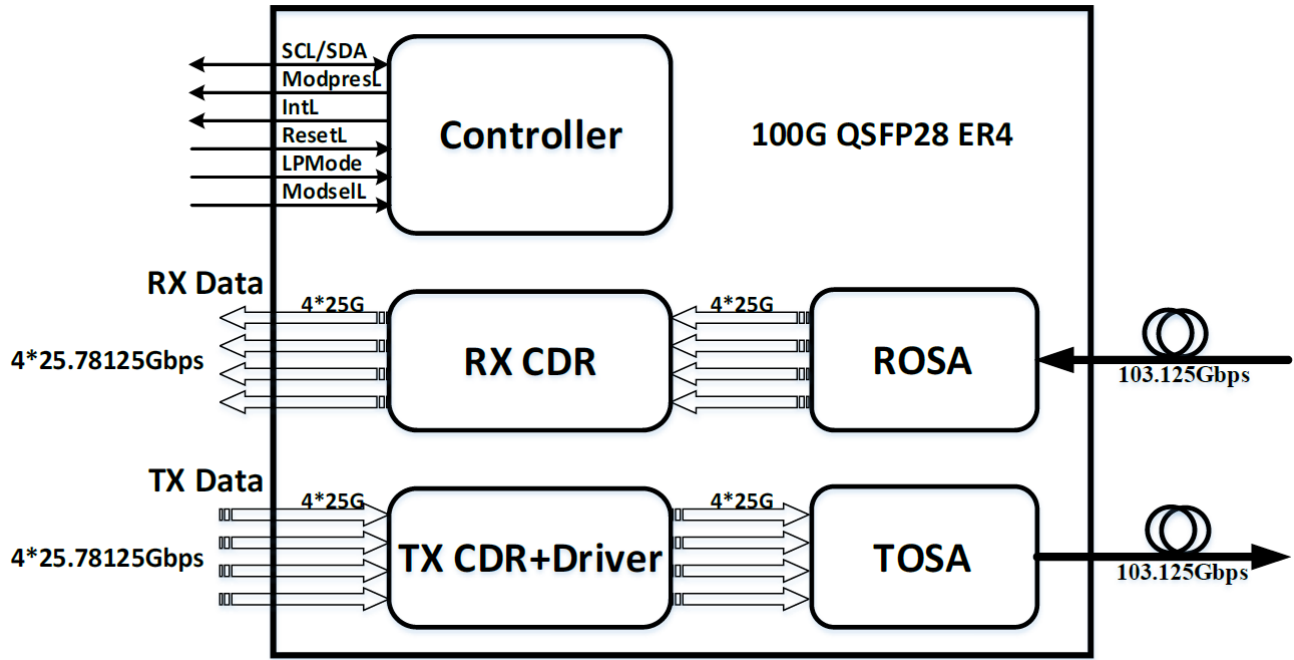
Top side viewed from top

Pin definitions of the module high speed inputs/outputs

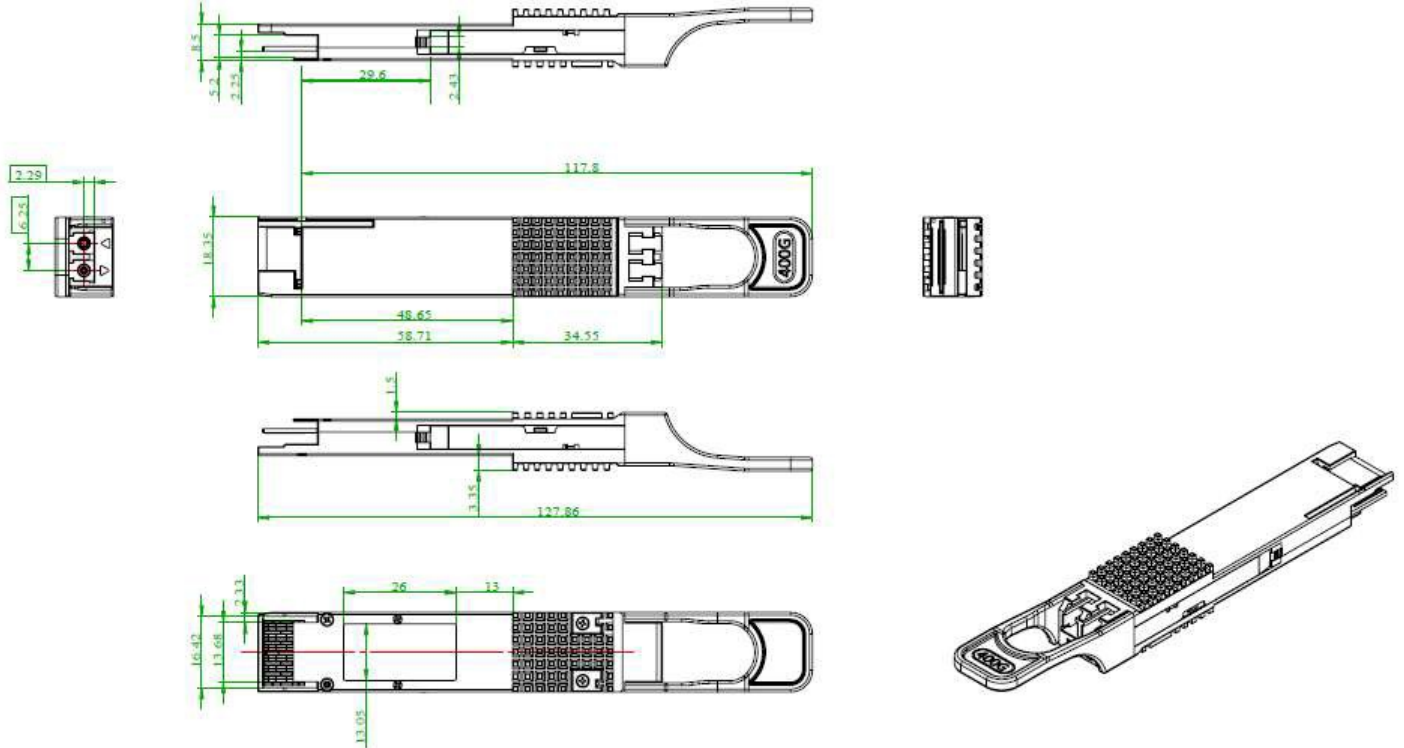
## Recommended QSFP-DD Host Board Schematic



### Transceiver Block Diagram



### Mechanical Specifications



**About Us:**

Proline Options is one of North America's leading providers of transceivers and high speed cabling. With a reputation for quality, tested products that cover the connectivity spectrum, Proline Options has a solution for you regardless of the specification.

At Proline Options, every product is tested in its intended application - never batch or spec tested only. We run bandwidth, distance and IOS network tests. We have documented an impressive 0.03% failure rate over the last 10 years. To continue this rate of success we invest millions annually in our own on-site testing lab.



Tel: 855.933.3223

Email: [sales@prolineoptions.com](mailto:sales@prolineoptions.com)

Email: [techsupport@prolineoptions.com](mailto:techsupport@prolineoptions.com)

Web: <https://www.prolineoptions.com>