

332-1662-PRO

Dell® 332-1662 Compatible TAA 40GBase-CU QSFP+ to QSFP+ Direct Attach Cable (Passive Twinax, 1m, 30AWG)

Features

- Full duplex 4 channel parallel passive optical cable
- SFF-8436 QSFP+ compliant
- Transmission data rate up to 10.3Gbps per channel
- Low power consumption
- Housing isolated from connector ground
- Hot pluggable electrical interface
- 3.3V power supply voltage
- Operating Temperature: 0 to 70 Celsius
- RoHS Compliant and Lead-Free



Applications:

- Serial Data Transmission

Product Description

This is a Dell® 332-1662 Compatible 40GBase-CU QSFP+ to QSFP+ direct attach cable that operates over passive copper with a maximum reach of 1m. It has been programmed, uniquely serialized, and data-traffic and application tested to ensure it is 100% compliant and functional. We stand behind the quality of our products and proudly offer a limited lifetime warranty. This cable is TAA (Trade Agreements Act) compliant and is built to comply with MSA (Multi-Source Agreement) standards.

Proline's transceivers are RoHS compliant and lead-free.

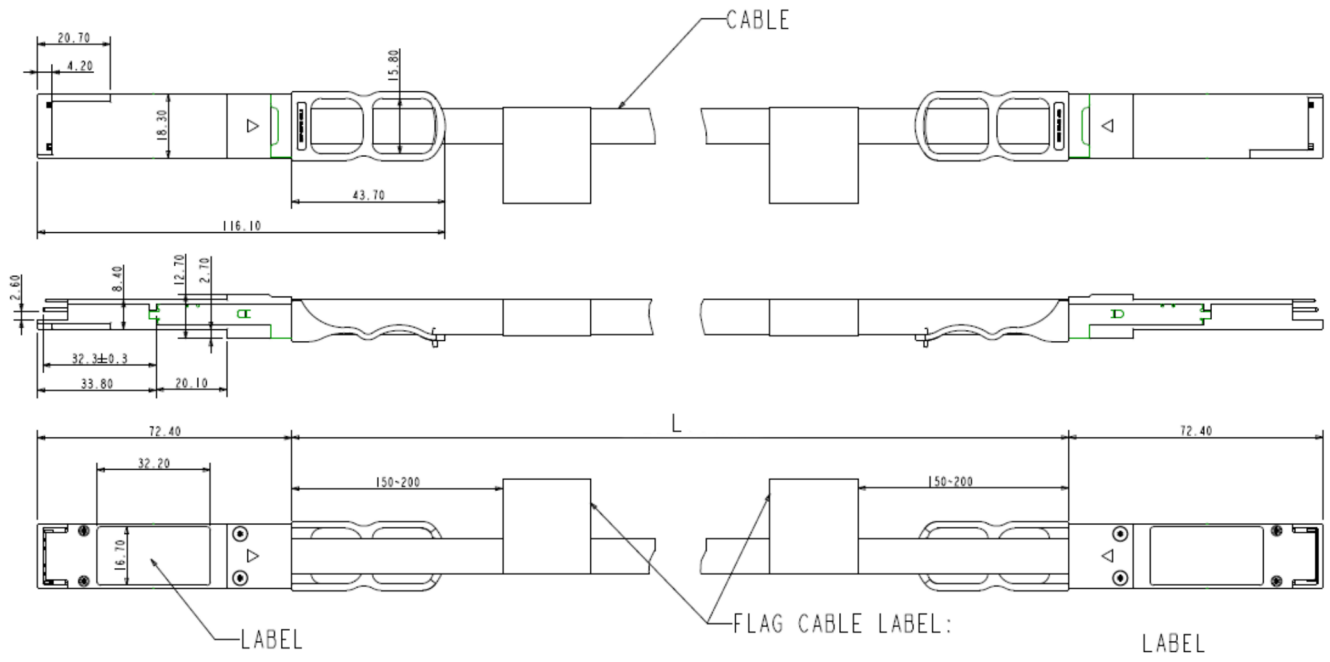
TAA refers to the Trade Agreements Act (19 U.S.C. & 2501-2581), which is intended to foster fair and open international trade. TAA requires that the U.S. Government may acquire only "U.S. – made or designated country end products.



Specifications

| Parameter | Specifications | Unit |
|--|--------------------------------|--------|
| Minimum Dielectric Withstand Voltage | 300 | VDC |
| Insulation Resistance | 1000 | MΩ |
| Current Rating | 0.5 Amp Minimum/Signal Contact | |
| Operating Temperature | 0 to 70 | °C |
| Flammability Rating (Plastics) | UL 94 | |
| Shield | Braid/Foil | |
| Connector | | |
| Back Shell Material | Nickel-Plated Zinc Diecast | |
| Contact Material | PCB with Gold-Plated Pads | |
| Maximum Insertion Force | 40 | N |
| Maximum Withdrawal Force | 30 | N |
| Durability | 250 | Cycles |
| Tightest Recommended Vertical Spacing (Belly-to-Belly) | 11.80 | mm |
| Tightest Recommended Vertical Spacing (Stacked) | 17.50 | mm |
| Cable | | |
| Conductor | Solid | |
| Wire Gauge | 28 | AWG |
| Impedance | 100±5 | Ω |
| Construction | Twinaxial | |
| Jacket Type | PVC | |

Mechanical Specifications



About Us:

Proline Options is one of North America's leading providers of transceivers and high speed cabling. With a reputation for quality, tested products that cover the connectivity spectrum, Proline Options has a solution for you regardless of the specification.

At Proline Options, every product is tested in its intended application - never batch or spec tested only. We run bandwidth, distance and IOS network tests. We have documented an impressive 0.03% failure rate over the last 10 years. To continue this rate of success we invest millions annually in our own on-site testing lab.



Tel: 855.933.3223

Email: sales@prolineoptions.com

Email: techsupport@prolineoptions.com

Web: <https://www.prolineoptions.com>